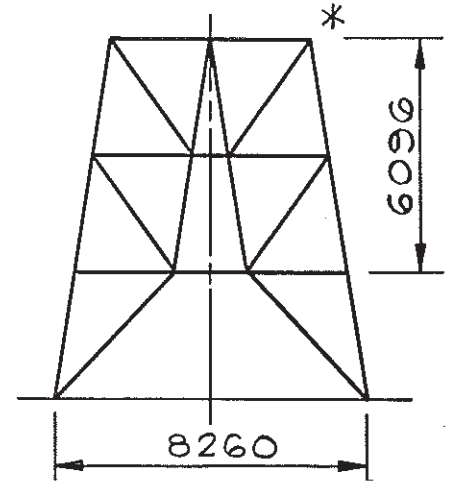
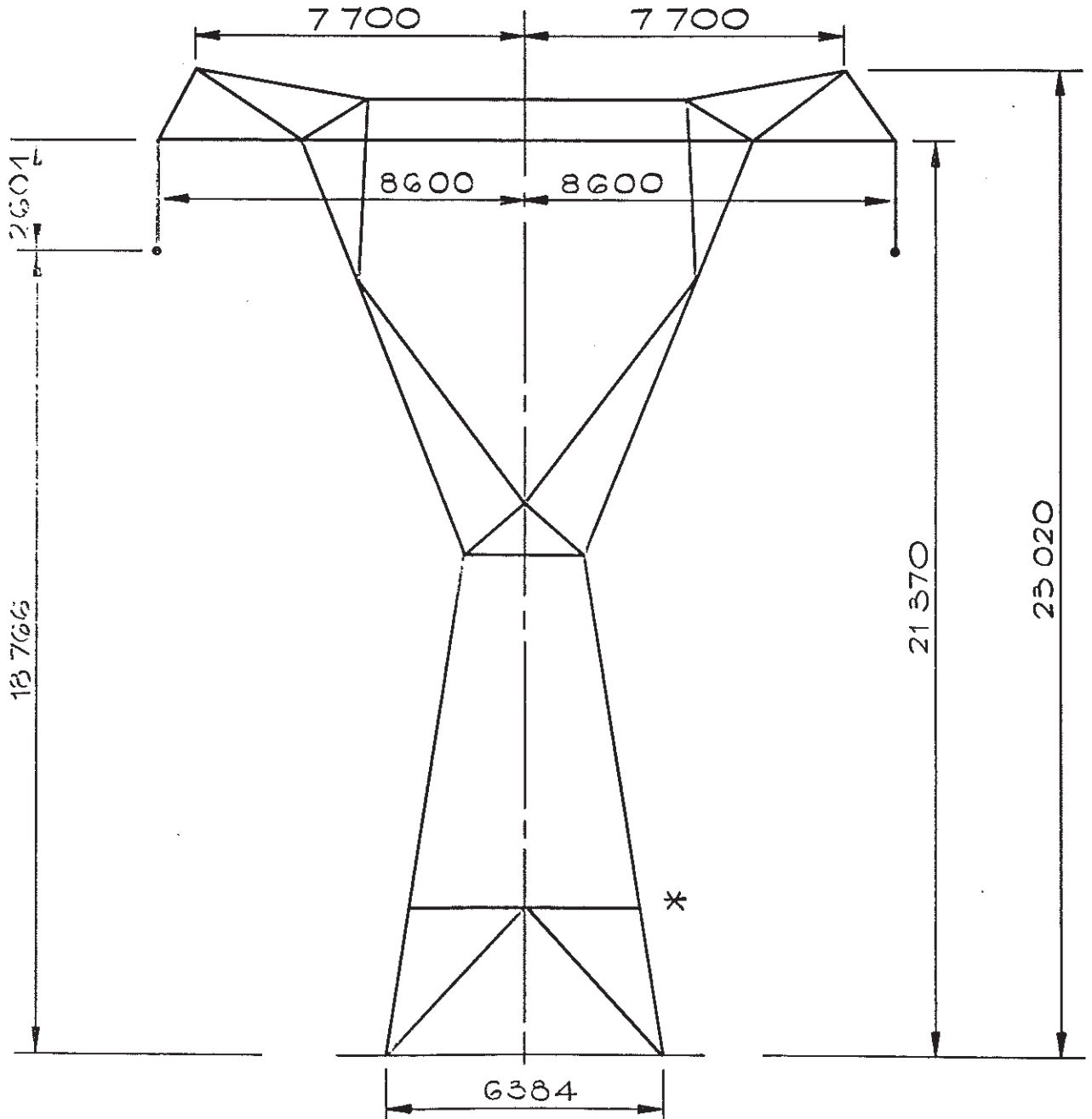


LEG EXTENSIONS	
EXTENSION	GROUND LEVEL
-914	6 103
-1829	5 821
+914	6 665
+1829	6 946
+2743	7 229



SCALE 1:200



NATAL

DRAWN · GEIKN
JEE 5/12/85

CHKD · NAGESN
S.O. Katsela
8.12.85

APRVD · GOEDK
J.K.S. 6-85

SCALE · SKAAL
1:150
1:200

INDEX · INDEKS
02

REV BY · DEUR
DATE · DATUM

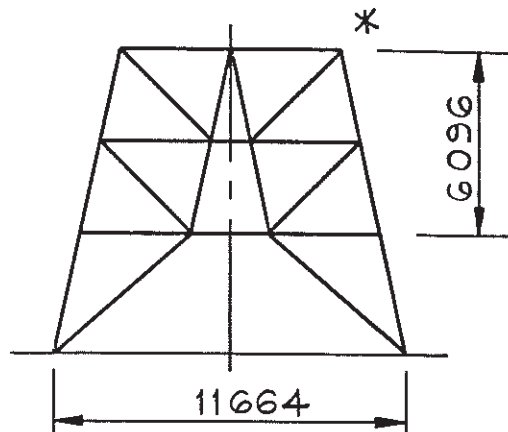
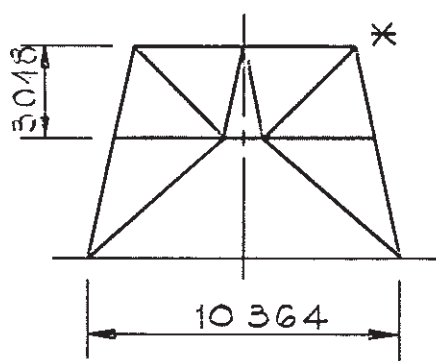
275 -KV SINGLE CIRCUIT LIGHT
SUSPENSION TOWER (33° SWING)

TYPE 421A

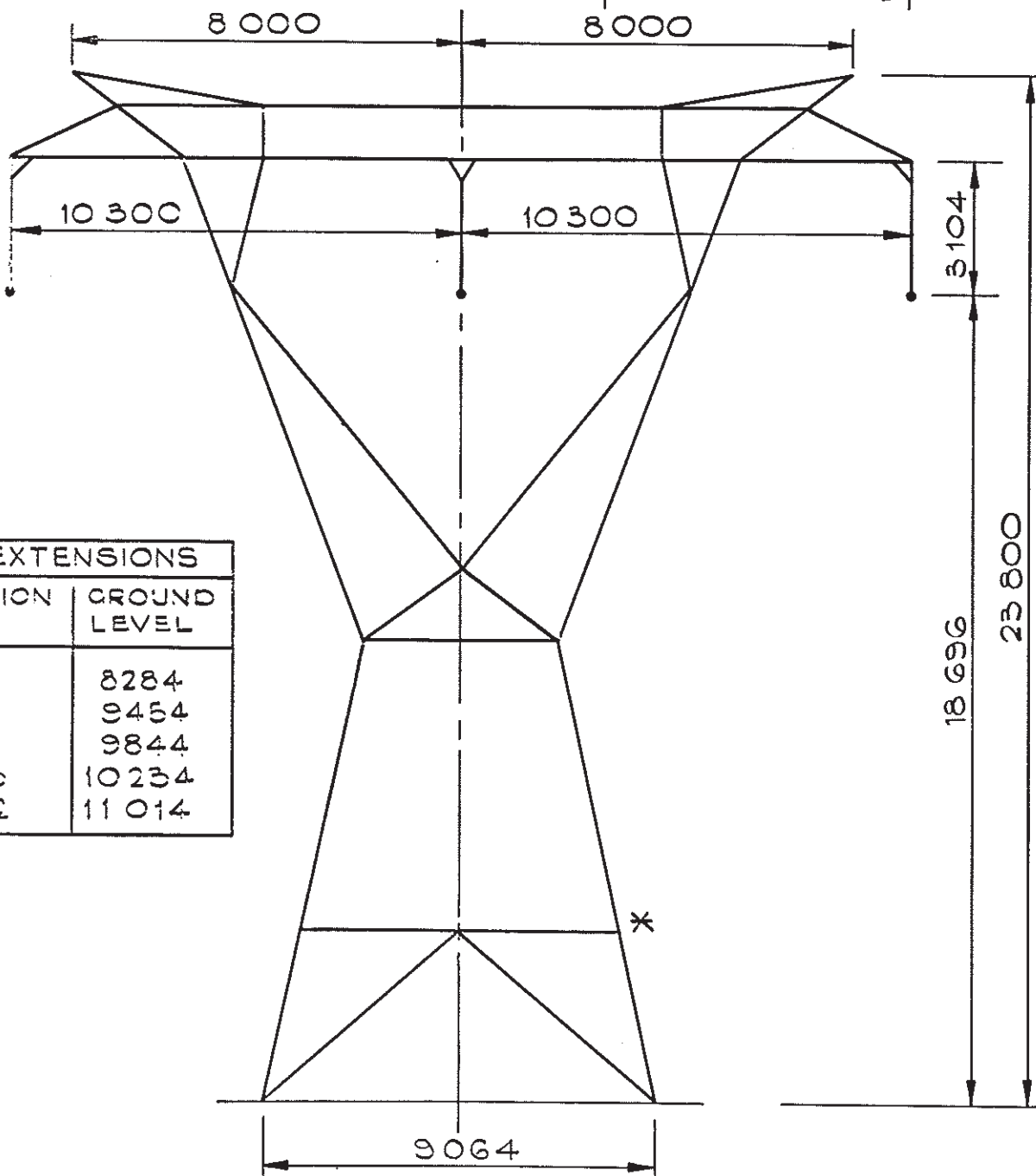
3·07/17504

SHEET · VEL
421A-1

REV
0



SCALE 1:250



LEC EXTENSIONS	
EXTENSION	GROUND LEVEL
-1529	8284
+ 914	9454
-1529	9844
+2743	10234
+4572	11014



NATAL

DRAWN · GEIKN JEE *ahals* CHKD · NAGESN *sc* APRVD · GOEDK *15.6.85* SCALE · SKAAL 1:150 1:250 INDEX · INDEKS 02

REV BY · DEUR DATE · DATUM

275-KV SINGLE CIRCUIT HEAVY SUSPENSION TOWER (50° SWING)

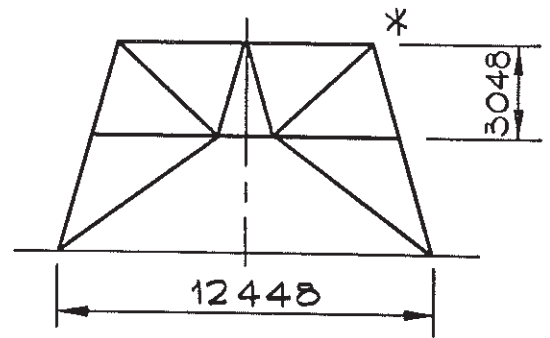
3.07/17 504

TYPE 421B

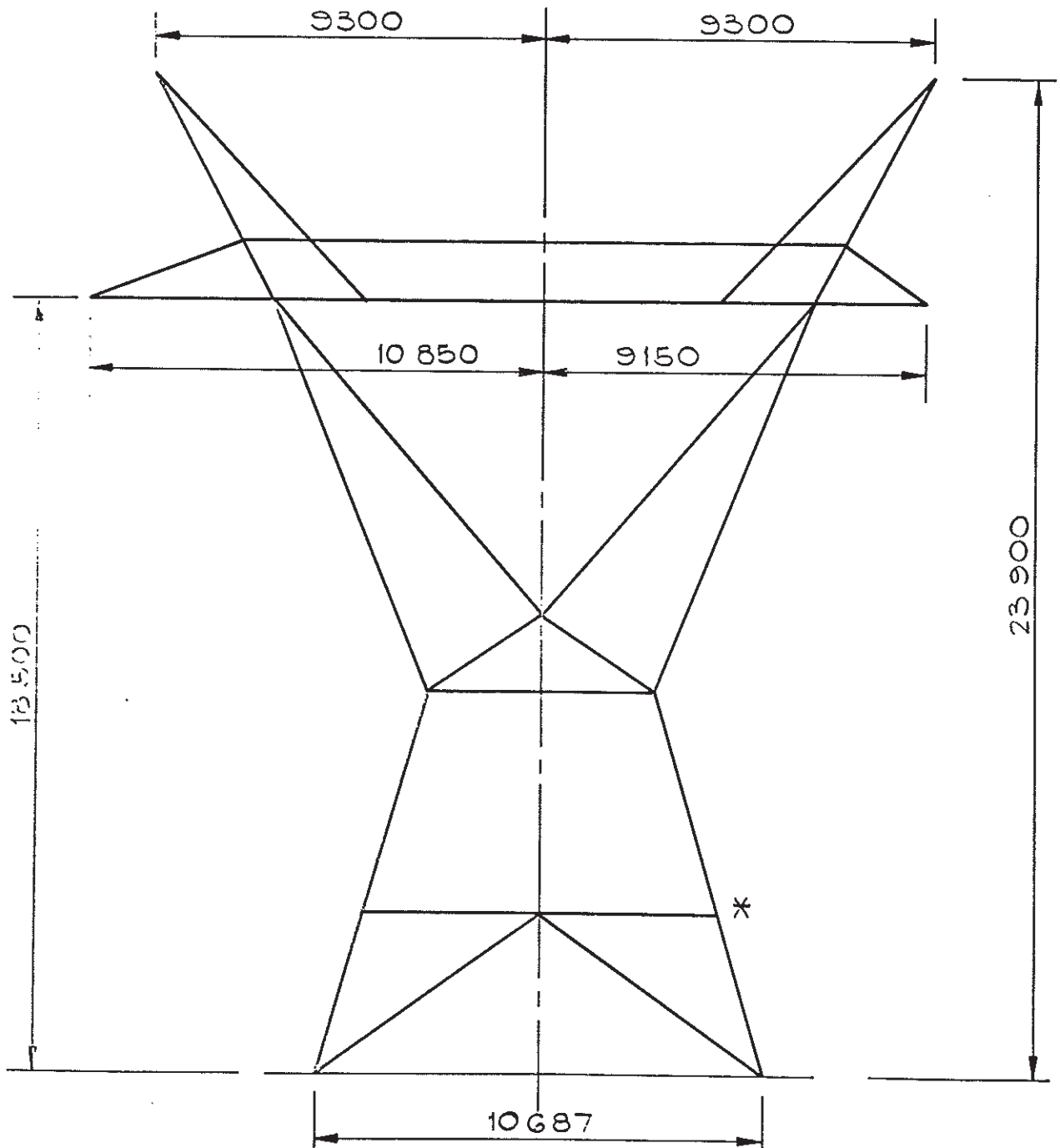
SHEET · VEL 421B-1

REV 0

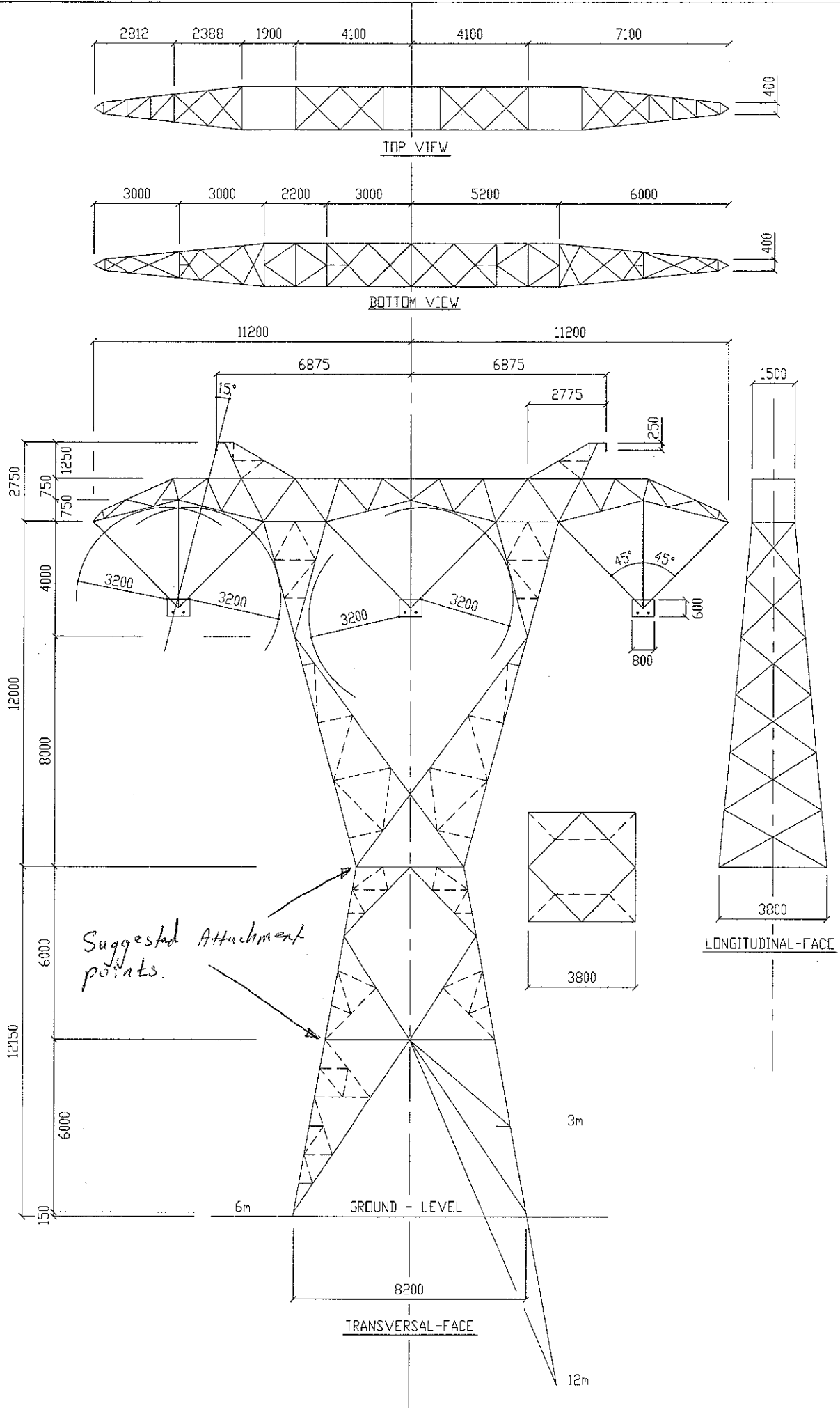
LEC EXTENSIONS	
EXTENSION	GROUND LEVEL
- 914	10 159
-1829	9629
+ 914	11 215
+1829	11 744
+2743	12 271
+4572	12 529



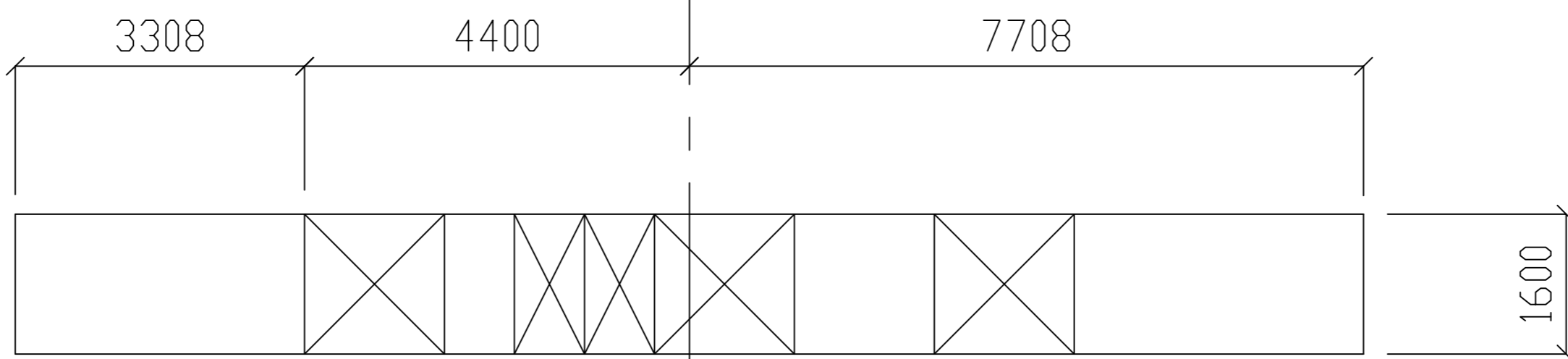
SCALE 1:250



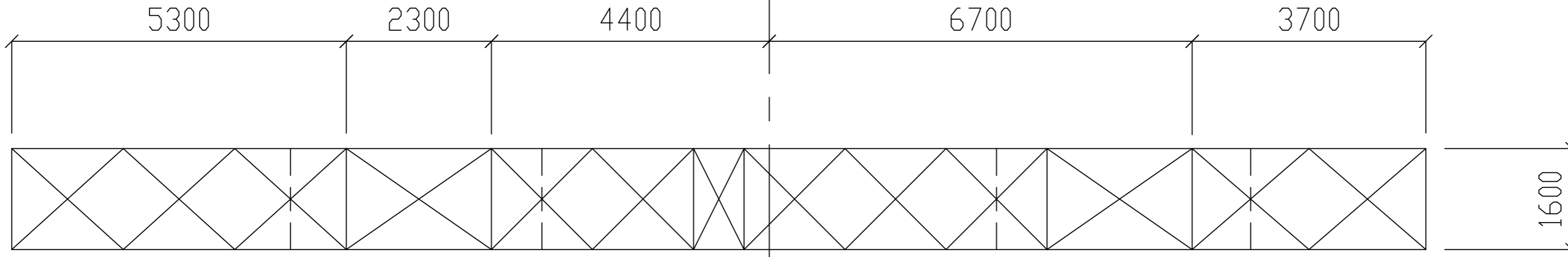
DRAWN · GEIKN JEE 3/12/85	CHKD · NAGESN <i>[Signature]</i> 8-12-85	APRVD · GOEDK <i>[Signature]</i> 5-6-85	SCALE · SKAAL 1 : 150 1 : 250	INDEX · INDEKS 02	REV. BY · DEUR
275-KV SINGLE CIRCUIT 20°-60° STRAIN & TERMINAL TOWER TYPE 421D					DATE · DATUM 3-07/17 504
SHEET · VEL 421D-1				REV 0	



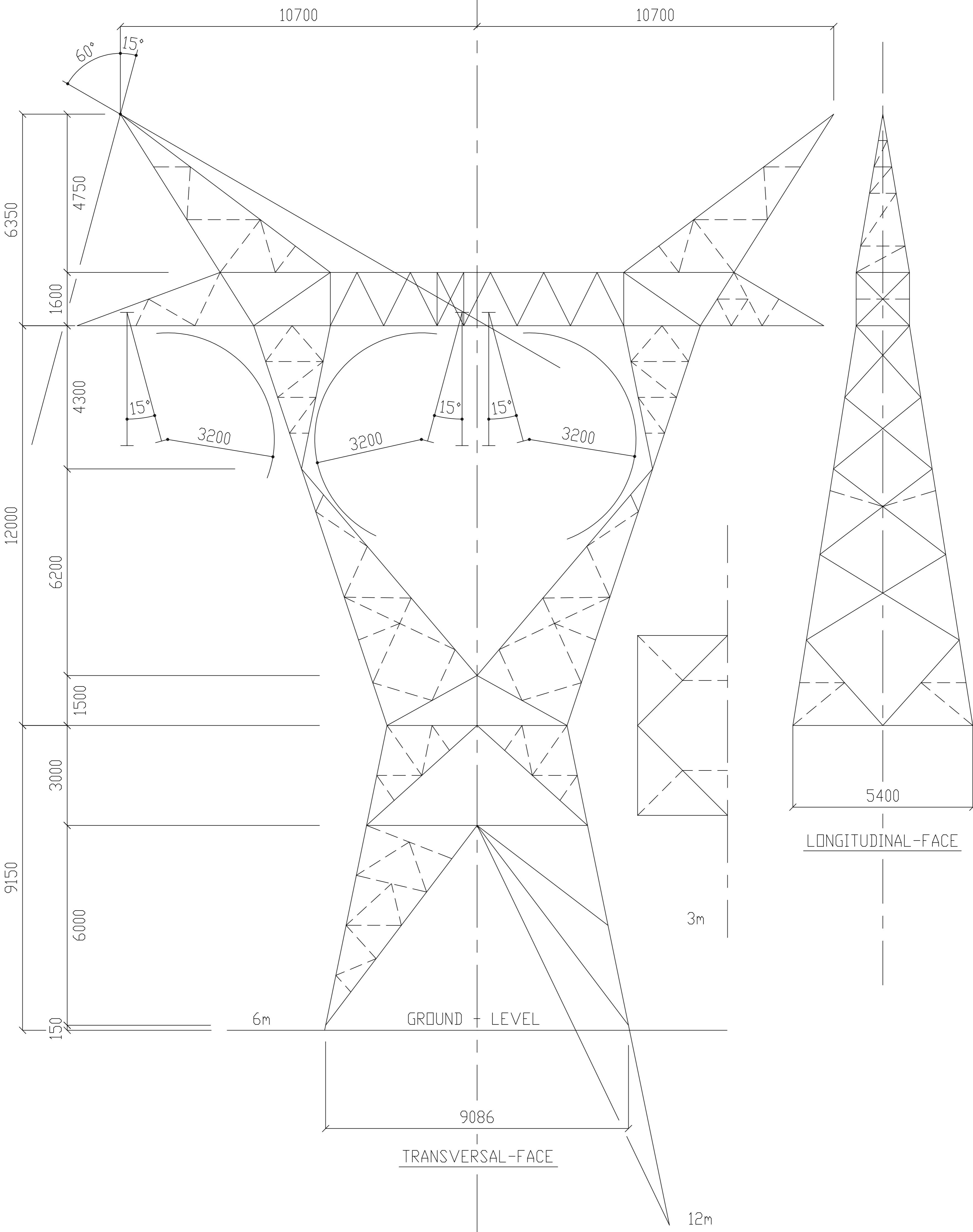
400 kV TRANSMISSION LINE
 SELF SUPP. SUSPENSION TOWER TYPE "517A"



TOP VIEW



BOTTOM VIEW



GROUND LEVEL

TRANSVERSAL-FACE

LONGITUDINAL-FACE

*400 kV TRANSMISSION LINE
 0°-35° ANGLE STRAIN TOWER TYPE "517E"*